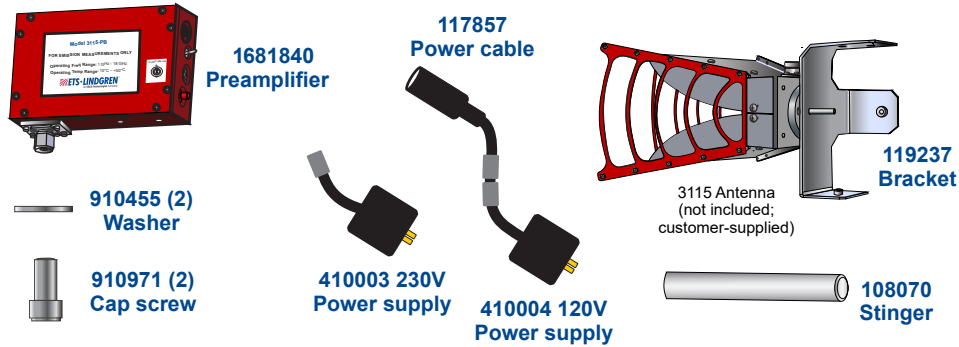


119331 Retrofit Kit Parts - To retrofit an existing 3115 antenna with the 3115-PB preamplifier.



The **ETS-Lindgren Model 3115-PB** is designed to amplify a signal in the 1 GHz to 18 GHz frequency range.

Note: For emission measurements only.

Product Information Bulletin

See the ETS-Lindgren *Product Information Bulletin* included with your shipment for the following:

- Warranty information
- Safety, regulatory, and other product marking information
- Steps to receive your shipment
- Steps to return a component for service
- ETS-Lindgren calibration service
- ETS-Lindgren contact information

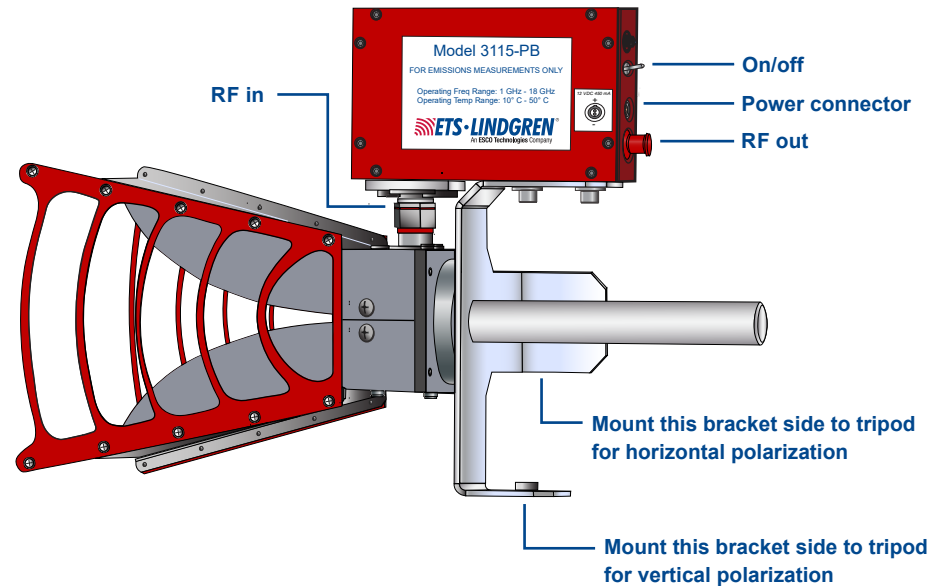
Safety Information

ONLY QUALIFIED PERSONNEL should install, operate, or service this equipment.

For complete safety information, see the *Product Information Bulletin*.

Warranty Information

For complete warranty information, see the *Product Information Bulletin*.



The Model 3115-PB includes a 120V power supply, a 220V power supply, and a power cable that that can be used with either power supply.

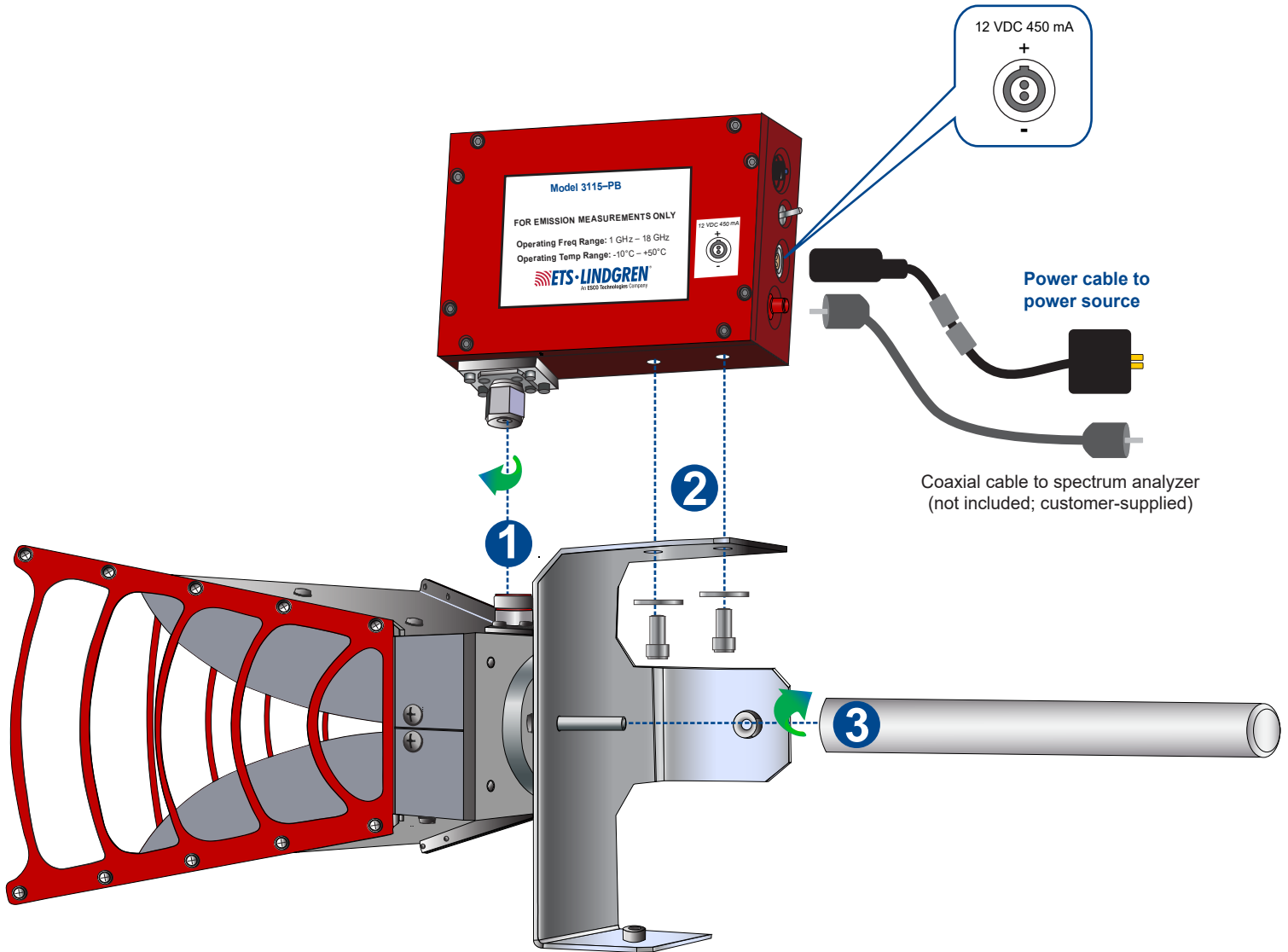
- 120V Power Supply, part# 410004
- 230V Power Supply, part# 410003
- Power Supply Cabling, part# 117857

Note: You will assemble the power supply cable by connecting the two cable lengths together.

Note: ETS-Lindgren may substitute a similar part with the same functionality for another part.



CAUTION: Before placing into service, read **Safety Information** on the back page of this document.



Preamplifier Electrical Specifications

Operating Frequency Range	1 GHz – 18 GHz
Amplifier Gain (Typical)	28 dB
Maximum Continuous Input	-30 dBm
Power Output	+17 dB MIN @ 1 dB PT
Operating Temperature Range	10°C – 50°C (50°F – 122°F)
DC Power Supply	+12 VDC – +15 VDC 450 mA NOM

Preamplifier Physical Specifications

Connectors	<ul style="list-style-type: none"> RF input, Type N male RF output, SMA female Power supply, 2-pin LEMO®
Dimensions	<ul style="list-style-type: none"> Length: 13.97 cm (5.5 in) Height: 8.89 cm (3.5 in) Depth: 3.86 cm (1.52 in)